



Dehumidifier – User's Guide

Models:

IDM20-SB23 -20 Pints

IDM35-SB23 - 35 Pints



Content

Operation Notices

- Operation Area.....1
- Safety Precautions.....2
- Parts Name.....3
- Check Before Operation.....4

Operation Instructions

- Operation Method.....5
- Drainage Option.....8

Maintenance

- Clean and Maintenance.....10

Malfunction

- Troubleshooting.....13
- Malfunction Codes.....15
- Electric Schematic Diagram.....17

NOTICE:
Graphics in this manual are only for reference. Please refer to actual products for specific details.

This appliance is not intended for use by persons (including children) with reduced physical, sensory or mental capabilities, or lack of experience and knowledge, unless they have been given supervision or instruction concerning use of the appliance by a person responsible for their safety. Children should be supervised to ensure that they do not play with the appliance.

Explanation of Symbols



DANGER

Indicates a hazardous situation that, if not avoided, will result in death or serious injury.



WARNING

Indicates a hazardous situation that, if not avoided, could result in death or serious injury.



CAUTION

Indicates a hazardous situation that, if not avoided, may result in minor or moderate injury.

NOTICE

Indicates important but not hazard-related information, used to indicate risk of property damage.



Indicates a hazard that would be assigned a signal word WARNING or CAUTION.

Exception Clauses

Manufacturer will bear no responsibilities when personal injury or property loss is caused by the following reasons.

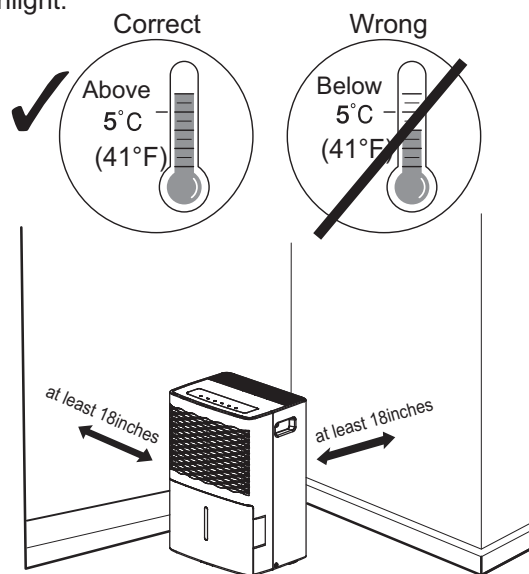
1. Damage the product due to improper use or misuse of the product;
2. Alter, change, maintain or use the product with other equipment without abiding by the instruction manual of manufacturer;
3. After verification, the defect of product is directly caused by corrosive gas;
4. After verification, the defects are due to improper operation during transportation of product;
5. Operate, repair, maintain the unit without abiding by instruction manual or related regulations;
6. After verification, the problem or dispute is caused by the quality specification or performance of parts and components that produced by other manufacturers;
7. The damage is caused by natural calamities, bad using environment or force majeure.

If it needs to install, move or maintain the appliance, please contact dealer or local service center to conduct it at first. The appliance must be installed, moved or maintained by appointed unit. Otherwise, it may cause serious damage or personal injury or death.

When refrigerant leaks or requires discharge during installation, maintenance, or disassembly, it should be handled by certified professionals or otherwise in compliance with local laws and regulations.

Operation Area

- This dehumidifier is intended for indoor residential applications only. It should not be used for commercial or industrial applications.
- Place the dehumidifier on a smooth and level floor.
- A dehumidifier operating indoors will have no effect in drying an adjacent enclosed area, such as a closet.
- Place the dehumidifier in an area where the temperature will not below 5°C(41°F) or above 32°C(90°F). The suggested range of relative humidity is between 30% and 90%.
- Allow at least 18inches of air space on all sides of the unit.
- Close all doors, windows and other outside openings of the room to improve the working effect.
- Please keep the air inlet/outlet clean and not blocked.
- Do not use a dehumidifier in a bathroom.
- Avoid direct sunlight.



NOTICE:

The dehumidifier has castors to aid placement. Do not attempt to roll the dehumidifier on carpet or over objects. Otherwise, water may spill out from the bucket or the dehumidifier may get stuck by the objects.

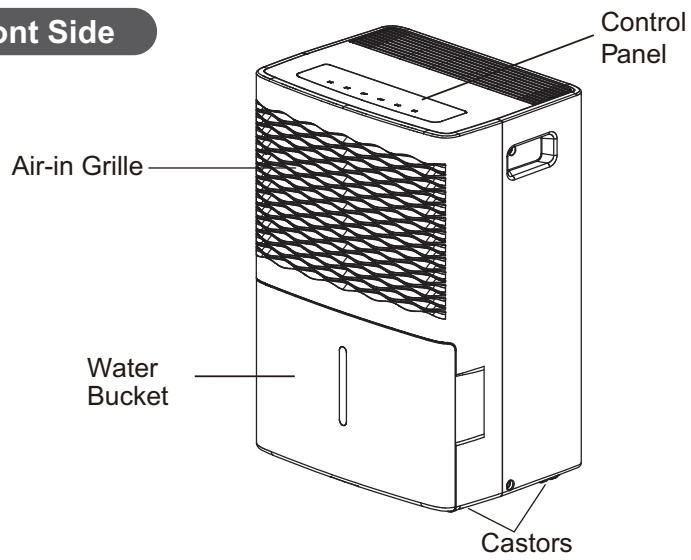
Safety Precautions

Warning

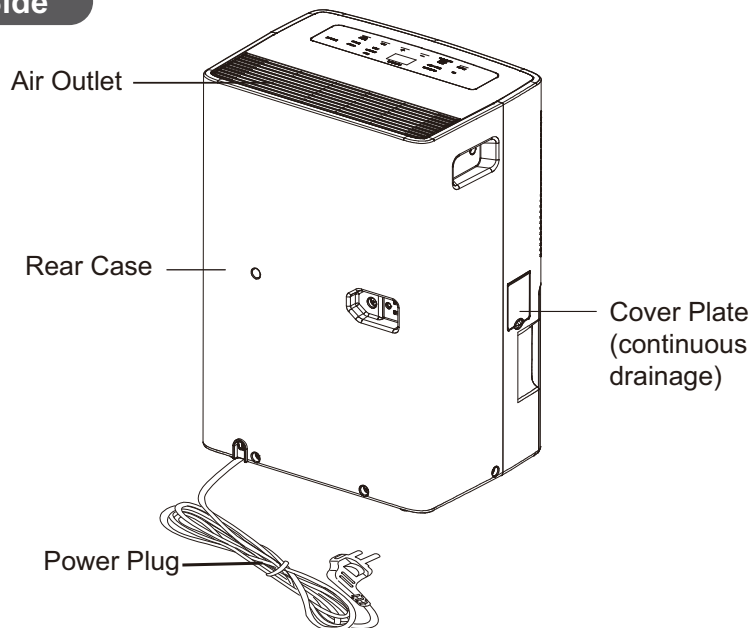
- This appliance can be used by children aged from 8 years and above and persons with reduced physical, sensory or mental capabilities or lack of experience and knowledge if they have been given supervision or instruction concerning use of the appliance in a safe way and understand the hazards involved.
- Children and disabled people are not allowed to use the dehumidifier without supervision.
- Children shall not play with the appliance.
- Cleaning and user maintenance shall not be made by children without supervision.
- Before operation, please check the power cord if it complies with the requirement indicated on the nameplate.
- Before cleaning, please turn it off and unplug the dehumidifier.
- Make sure the power cord is not pressed by any hard object.
- Do not remove the power plug or move unit by pulling the power cord.
- Do not use any heating application near the dehumidifier.
- Do not remove the power plug in wet hands.
- Please use grounded power cord and make sure it's well connected and not damaged.
- Keep children from playing or climbing on the dehumidifier.
- Do not place the dehumidifier under dripping objects.
- Memory function is included in this dehumidifier. When nobody is taking care of the unit, please turn it off and remove the power plug or disconnect power.
- Do not repair or disassemble the unit by yourself.
- If abnormal condition occurs (e.g. burned smell), please disconnect power at once and then contact local dealer.
- Dehumidifier can not be disposed of everywhere. If you want to get rid of this dehumidifier, please check with local handling disposal or information service center about what to do.
- Instructions for cord-connected room air conditioners shall include manufacture's recommendations regarding the use of cord sets(extension cords). If use of an extension cord is not recommended, the instructions shall state this. Recommendations for an extension cord shall specify at least the use of a cord set with an equipment grounding conductor grounding-type attachment plug, and grounding-type connector(load fitting) ;and the amp city and voltage rating of the cord set.
- The appliance shall be installed in accordance with national wiring regulations.
- If the SUPPLY CORD is damaged, it must be replaced by the manufacturer, its service agent or similarly qualified person in order to avoid a hazard.
- Prohibit operating the unit in the bathroom or laundry room.

Parts Name

Front Side



Back Side

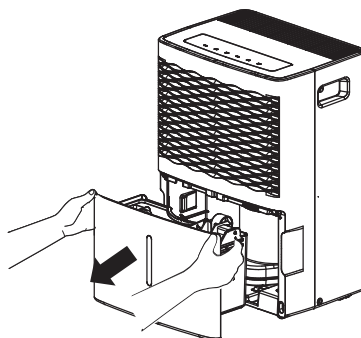


Note:Actual product may be different from above graphics, please refer to actual product.

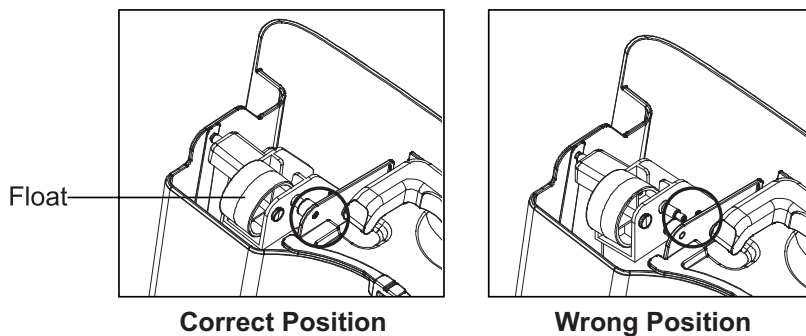
Check Before Operation

Before operation, please first check whether float is properly placed. Below are the checking steps:

1. Hold the handles on both sides of the water bucket and pull it out following the arrow direction.



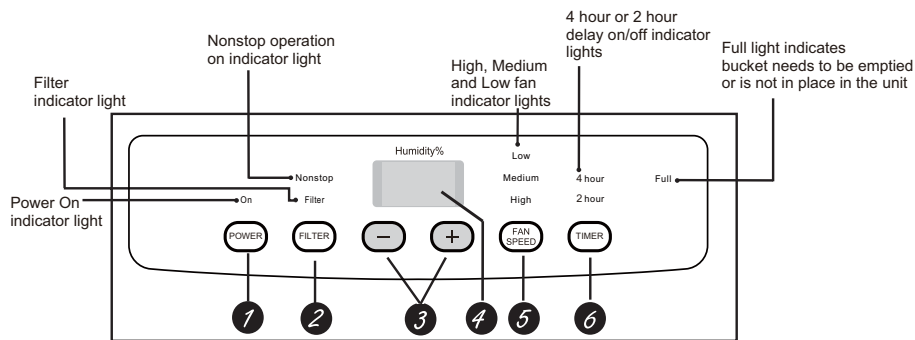
2. Check whether float in the water bucket is properly placed. It might have been moved a little after long-time transportation. If it's not placed properly, move it to the correct position by hand.



3. Replace the bucket as instructed in step 1.

Note:Actual product may be different from above graphics, please refer to actual product.

Operation Method



* Actual product may be different from above graphics, please refer to actual product.

NOTICE:

Water bucket must be correctly installed for the dehumidifier to operate.

Do not remove the bucket while unit is in operation.

If you want to use drain hose to drain water away, please install the hose according to section "Drainage option".

Each time pressing the effective button on the control panel will give out a "beep" sound.

When power is connected, power indicator on the control panel will be on and dehumidifier gives out a "beep" sound simultaneously.

Basic Functions of the Buttons

- 1 POWER**
Press to turn the dehumidifier on and off.
- 2 FILTER**
After 250 hours of operation, the **Filter** indicator light will glow to remind you to clean the filter. Remove the filter and clean it.
Press to rest to turn off the Filter light. See the Clean and Maintenance.

3 -/+

The humidity level can be set within a range of 80% RH (Relative Humidity) to 35% RH (Relative Humidity) in 5% reduce or at continuous operation. To set the unit for continuous operation, press the - pad until the screen reads NS.

NOTE: If **Nonstop** is selected, the dehumidifier will operate continuously at its maximum dehumidification settings if attached to a hose to drain or until the bucket is full. For drier air, press the - pad and set to a lower percent value (%). For damper air, press the + pad and set to a higher percent value (%). When you first use the dehumidifier, set the humidity control to 45% or 50%. Allow at least 24 hours for the dehumidifier to achieve the humidity level. If you still have damper air than desired, set the humidity level to a lower setting or select Continuous for maximum dehumidification.

4 Display

Shows the set % humidity level while setting, then shows the actual ($\pm 5\%$ accuracy) room % humidity level.

5 FAN SPEED

Controls the fan speed.

Press to select either High, Medium or Low fan speed.

Set the fan control to High for maximum moisture removal. When the humidity has been reduced and quiet operation is preferred, set the fan control to Medium or Low.

6 TIMER

While the dehumidifier is in operation, press this pad to set it to automatically turn off in 2 hours or 4 hours. While the dehumidifier is off, press this pad to set it to automatically turn on in 2 hours or 4 hours.

Other Instructions

1. Full Light

Glows when the bucket is ready to be emptied, or when the bucket is removed or not replaced in the proper position.

2. Alarm

If the bucket is full or missing for more than three minutes, an alarm will sound for about 10 seconds to remind you to empty and replace the bucket.

3. Auto Shut Off

The Water Level Control Switch shuts off the dehumidifier when the bucket is full, or when the bucket is removed or not replaced in the proper position.

4. Auto Defrost

When frost builds up on the evaporator coils, the compressor will cycle off and the fan will continue to run until the frost disappears.

5. Power Outage

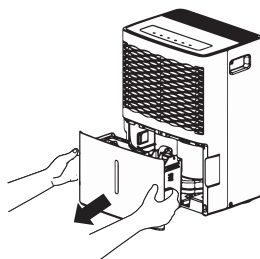
In the case of a power outage or interruption, the unit will automatically restart, in the settings last used, after the power is restored.

Drainage Option

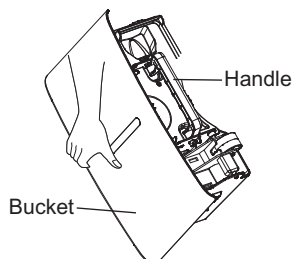
Option 1 Emptying Manually

NOTICE:

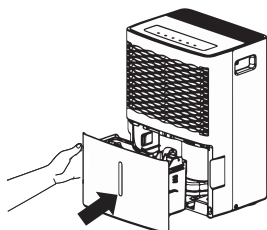
- Do not remove the bucket when unit is in operation or has just stopped. Otherwise it may cause some water to drip on the floor .
 - Do not use the hose if using water bucket to collect water. When the hose is connected, water will be drained out through it instead of into the bucket.
1. Hold the handles on both sides of the water bucket and pull it out following the arrow direction. (Attention: Pull out the bucket carefully in case the water may spill out from the bucket and onto the floor.)



2. Empty the bucket by grasping the handle on the top of bucket with one hand and grasping the bottom of bucket with the other hand.



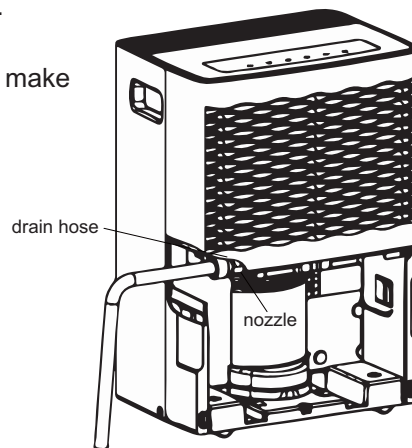
3. Replace bucket in the dehumidifier according to the arrow direction



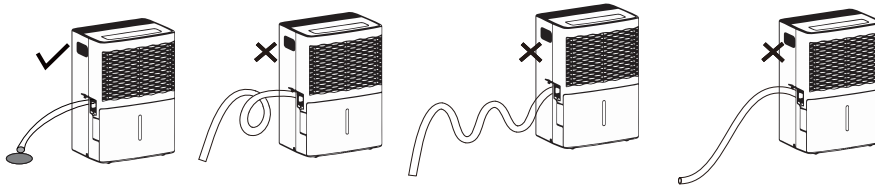
Note:Actual product may be different from above graphics, please refer to actual product.

Option 2 Gravity Drain Hose

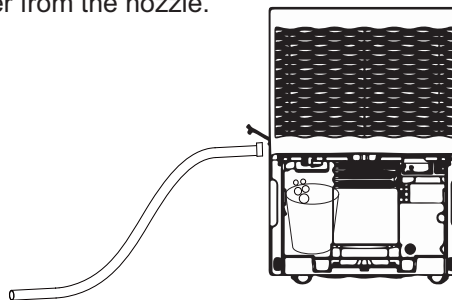
1. Hose is not provided, so user shall prepare it in advance.
[Size: The hose thread should have an outer diameter of 11/16 inches (1.0625 inches or 27.0mm), and a pitch of 11.5 TPI.]
2. Remove bucket from the unit as instructed.
3. Thread the drain hose onto the nozzle and make sure it's securely locked.



4. Replace the bucket. Make sure the drain hose goes through the bucket's drain hole and is placed downward. Lead the hose to the floor drain and then cover the hole with a lid. Note that drain hose should not be pressed, otherwise water can not be drained out.



NOTICE: When you want to take off the drain hose, prepare a receptacle to collect water from the nozzle.



Note: Actual product may be different from above graphics, please refer to actual product.

Clean and Maintenance

Warning

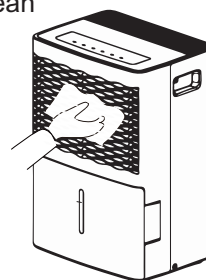
- Before cleaning, turn off the dehumidifier and disconnect power. Otherwise it may lead to electric shock.
- Do not wash the dehumidifier with water, or it may lead to electric shock.
- Do not use volatile liquid (such as thinner or gasoline) to clean dehumidifier. Otherwise it will damage unit's appearance.

1. Grille and Case

To clean the case:

When there is dust on the case, use soft towel to dust it off; When the case is very dirty (greasy), use mild detergent to clean it.

To clean the grille: Use a dust catcher or brush.



2. Water Bucket

Every few weeks, clean the bucket to prevent growth of mold, mildew and bacteria. Use soft brush to clean the bucket and then rinse it.

To remove:

(1) Direct the rotor shaft of handle to the hole of buckle plate. Pull the bucket plate at the handle side by following the arrow direction. Remove the handle. (shown in Fig. 1a, Fig. 1b, Fig. 1c)

(2) Press down all buckles around the water bucket. Lift up the drain lid. (shown in Fig. 2a, Fig. 2b, Fig. 2c)

Note: 5 clasps marked with line on the right figure.

GDN45BA-A3EBA2A、GDN45BA-A3EBA3A、GDN45BA-A3EBA4A
GDN50BA-A3EBA2D、GDN50BA-A3EBA3A、GDN50BA-A3EBA4A

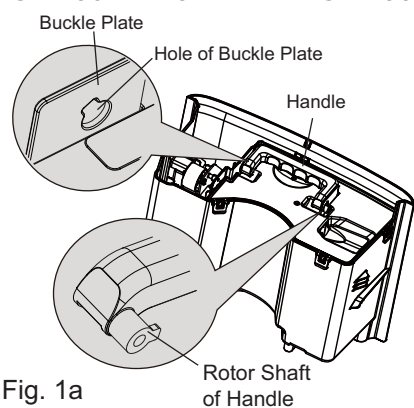


Fig. 1a

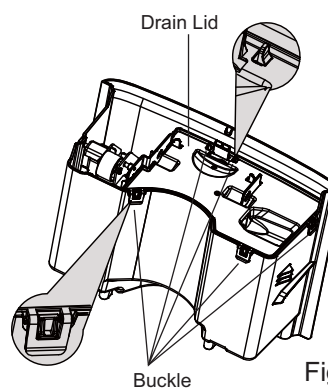
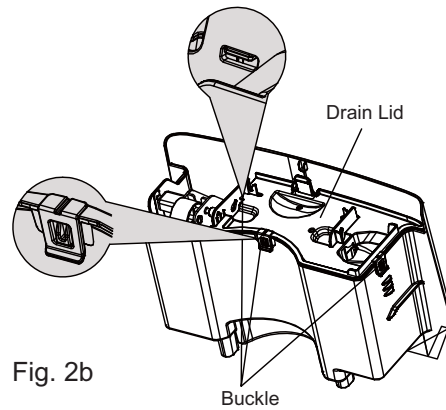
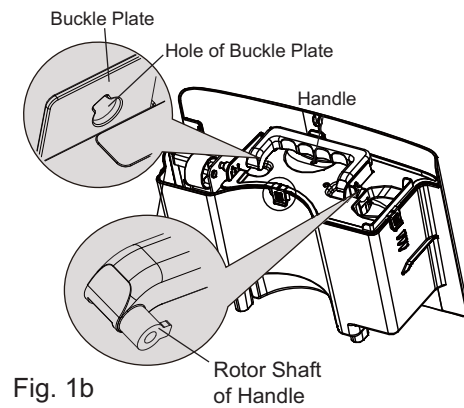


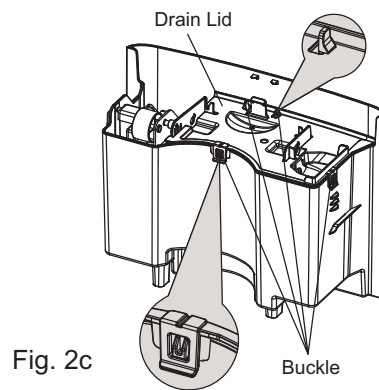
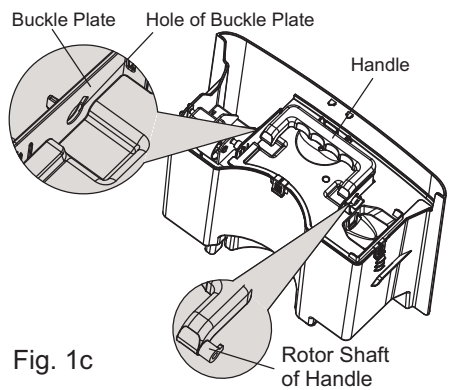
Fig. 2a

Note: Actual product may be different from above graphics, please refer to actual product.

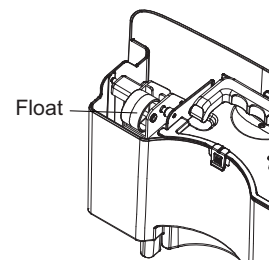
GDN20AZ-A3EBA2A、GDN20AZ-A3EBA3A、GDN20AZ-A3EBA4A
 GDN22AZ-A3EBA2A、GDN22AZ-A3EBA3A、GDN22AZ-A3EBA4A
 GDN35AZ-A3EBA2A、GDN35AZ-A3EBA3A、GDN35AZ-A3EBA4A



GDN30BB-A3EBA2B、GDN30BB-A3EBA3A、GDN30BB-A3EBA4A
 GDN35BB-A3EBA2A、GDN35BB-A3EBA3A、GDN35BB-A3EBA4A



(3) After cleaning, replace the drain lid and handle and make sure the float of water bucket is placed properly. The side with foam plastic should be beneath the drain lid. Do not remove the foam plastic on the float



Note:Actual product may be different from above graphics, please refer to actual product.

3. Air Filter

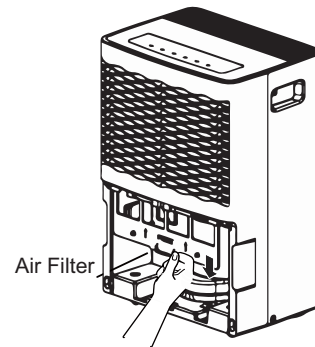
Dehumidifier will remind you to clean the air filter when it has been operating for 250 hours. If it is used in dusty places, clean the air filter more often.

To remove: Remove the bucket. Grasp the filter edge, and pull it straight down and out.

To clean: Clean the filter in warm, soapy water. Rinse it and let the filter dry before replacing it.

Warning

- Do not operate the dehumidifier without a filter. Otherwise the evaporator will catch dust and affect unit's performance.
- Do not dry the air filter with fire or electric hair dryer. Otherwise the air filter may be unshaped or caught on fire.
- Don't use dust catcher or brush to clean the air filter. Otherwise the air filter may be destroyed.



* Actual product may be different from above graphics, please refer to actual product.

Check Before Use-season

- Check whether air outlet is blocked.
- Check whether power plug and power socket are in good condition.
- Check whether air filter is clean.
- Check whether drain hose is damaged.

Care After Use-season

- Disconnect power.
- Clean air filter and case.
- Clean dust and obstacle of the dehumidifier.
- Empty the water bucket.

Long-time Storage

If you won't use the dehumidifier for a long time, we suggest that you follow the steps below in order to maintain the unit in good condition.

- Make sure the bucket is clear of water and drain hose is removed.
- Unplug the dehumidifier and pack the power cord.
- Clean the unit and wrap it well to prevent the gathering of dust.

Troubleshooting

- Not all the following problems are malfunctions.

Problem	Possible Causes
Dehumidifier is not operating. Controls can not be set.	<ul style="list-style-type: none"> ● Unit is operating in an area where temperature is higher than 32°C (90°F) or lower than 5°C (41°F). ● Bucket is full.
Noise suddenly rises during operation.	<ul style="list-style-type: none"> ● Noise will rise if compressor has just started. ● Power supply problem. ● Unit is placed on uneven floor.
Humidity does not drop.	<ul style="list-style-type: none"> ● Area to be dehumidified is too large. The capacity of your dehumidifier may not be adequate ● Doors are open. ● There might be some device producing vapor in the room.
Little or no effect in dehumidifying	<ul style="list-style-type: none"> ● Room temperature is too low. ● Humidity level may be improperly set. ● If unit is operating in a room where temperature is from 5 to 15 °C (41°F to 59°F), it will start to defrost automatically. Compressor will stop for a brief period of time (fan will operate in high fan speed). When unit finishes defrosting, it will be back normal operation.
When first operated, the air emitted has musty-odor.	<ul style="list-style-type: none"> ● Due to temperature rising of heat exchanger, the air may have some strange smell at the beginning.
Unit has noises.	<ul style="list-style-type: none"> ● There might be some noise if unit is operating on wooden floor.
Swooshing sound is heard.	<ul style="list-style-type: none"> ● Normal. This is the sound of the flow of refrigerant.

- Problem of Water Leakage.

Problem	Possible Causes	Solution
When using drain hose, there is water in the bucket.	<ul style="list-style-type: none"> ● Examine the drainage joint. 	<ul style="list-style-type: none"> ● Connect the drainage joint well.
	<ul style="list-style-type: none"> ● Drain hose is not correctly installed. 	<ul style="list-style-type: none"> ● Clear the obstacle from the drain hose.
	<ul style="list-style-type: none"> ● Drain hose is not correctly installed. 	<ul style="list-style-type: none"> ● Remove the drain hose and replace it. Be sure that the hose is correctly installed.

● Dehumidifier does not start.

Problem	Possible Causes	Solution
Power indicator is not lit when power is connected.	<ul style="list-style-type: none"> ● Power is not supplied for the dehumidifier or the power plug is not well inserted. 	<ul style="list-style-type: none"> ● Check if power is lost. If yes, wait for the power to restore. ● If not, check whether the power circuit or power socket has been damaged. ● Check whether power plug is loosen. ● Check whether power cord is damaged.
	<ul style="list-style-type: none"> ● Fuse is blown. 	<ul style="list-style-type: none"> ● Replace the fuse.
Bucket full indicator is lit up.	<ul style="list-style-type: none"> ● Bucket is not properly placed. ● Water is full in the bucket. ● Bucket has been removed. 	<ul style="list-style-type: none"> ● Empty the bucket and replace it.
Unit can function normally but it can not start up.	<ul style="list-style-type: none"> ● Humidity is set too high. 	<ul style="list-style-type: none"> ● If you want the air drier, press “-” button to lower the figure or press CO button for unit to dehumidify continuously.

● Dehumidifier does not dry air as intended.

Bad dehumidifying performance	<ul style="list-style-type: none"> ● Check whether there is any obstacle around the unit. 	<ul style="list-style-type: none"> ● Make sure there is no curtain, shutter or furniture that blocks the dehumidifier.
	<ul style="list-style-type: none"> ● Air filter is dusty and blocked. 	<ul style="list-style-type: none"> ● Clean the filter.
	<ul style="list-style-type: none"> ● Doors and windows are left open. 	<ul style="list-style-type: none"> ● Make sure all doors and windows and other opening to the outside have been closed.
	<ul style="list-style-type: none"> ● Room temperature is too low. 	<ul style="list-style-type: none"> ● Warm temperature is good for dehumidification. Low temperature will reduce unit's working effect. This unit should be working in a place where temperature is above 5°C(41°F).

Malfunction Codes

● Unit's Malfunction Codes

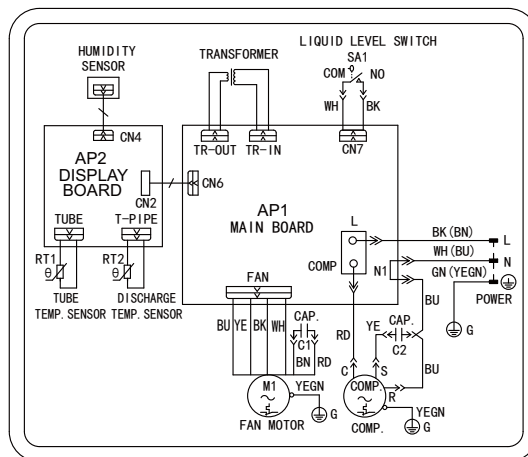
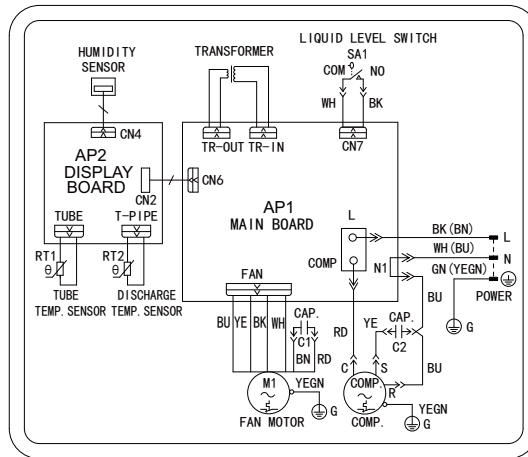
No.	Malfunction Name	Display Code	Unit's Condition	Possible Causes
		Display Window		
1	Ambient Temperature Sensor Malfunction	F1	Compressor and fan motor stop. The buttons are invalid.	● Ambient temperature sensor is loosen or is poorly connected with the terminal of display board.
				● Some element of display board may have been put upside down and cause short circuit.
				● Ambient temperature sensor is damaged(Please refer to Checking Table for Temperature Sensor Resistance).
				● Display board is damaged.
2	Tube Temperature Sensor Malfunction	F2	Compressor and fan motor stop. The buttons are invalid.	● Temperature sensor on the evaporator is loosen or is poorly connected with the terminal of display board.
				● Some element of display board may have been put upside down and cause short circuit.
				● Temperature sensor on the evaporator is damaged(Please refer to Checking Table for Temperature Sensor Resistance).
				● Display board is damaged.
3	Discharge Temperature Sensor Malfunction	F5	Compressor and fan motor stop. The buttons are invalid.	● Temperature sensor on the evaporator is loosen or is poorly connected with the terminal of display board.
				● Some element of display board may have been put upside down and cause short circuit.
				● Discharge temperature sensor is damaged (Please refer to Checking Table for Temperature Sensor Resistance).
				● Display board is damaged.
4	Humidity Sensor Malfunction	L1	Compressor and fan motor stop. The buttons are invalid.	● Humidity sensor is short-circuited.
				● Humidity sensor is damaged.
				● Display board is damaged.

Malfunction Codes

● Unit's Malfunction Codes

No.	Malfunction Name	Display Code	Unit's Condition	Possible Causes
		Display Window		
5	High discharge temperature protection of compressor	E4	The compressor stops; the fan motor stops after 30 seconds.	<ul style="list-style-type: none"> ● Abnormal system (e.g.: blockage, etc). ● Abnormal rotation speed of the motor. ● Abnormal air intake. ● System is normal, but the compressor discharge temperature sensor is abnormal or poorly contacted.

Electric Schematic Diagram



IMPECCA® ONE YEAR LIMITED WARRANTY {36530}

Impecca® warrants this product against defects in material and workmanship to the original purchaser as specified below. Please register your product online within fourteen (14) days of purchase.

PARTS - if the product is determined to have a manufacturing defect, within a period of one (1) year from the date of the original purchase, Impecca® will repair or replace the product parts at no charge (for parts) to consumers in the U.S.A. and Canada.

LABOR - if the product is determined to have a manufacturing defect, within a period of thirty (30) Days from the date of the original purchase, Impecca® will repair or replace the product at no charge to consumers in the U.S.A. and Canada. After thirty (30) days, it will be the responsibility of the consumer.

Shipping costs to and from our warranty service center are the sole responsibility of the consumer.

To obtain warranty service by an authorized Impecca® service center, please email us at: service@impecca.com to obtain a Repair and Maintenance Authorization (RMA) number and to locate the Warranty Service Center nearest you. Once authorized, you must mail the product to the authorized Impecca® service center in its original product packaging materials or equivalent, to prevent damage while in transit.

Further, should Impecca® determine that the product is outside of the Warranty terms, Impecca® will return the product to sender at sender's expense without being repaired or replaced, unless authorized by the consumer to service the out-of-warranty product at consumer's expense. All handling or restocking charges for returns and/or replacements shall be non-refundable.

Impecca® specifically excludes from this warranty any non-electric/mechanical attachments, accessories, and disposable parts including, but not limited to, outside case, connecting cables, batteries, and AC adapters. Impecca® reserves the right to repair or replace defective products with the same, equivalent, or newer models.

We reserve the right to either repair or replace product at our discretion. Replacement may be either new or refurbished and while every endeavor will be made to ensure it is the same model, if same model is not available, it will be replaced with a model of equal or higher specification.

Normal "Wear and Tear" is not covered by this, or any other, warranty. Further, Impecca® hereby reserves the right to determine "Wear and Tear" on any and

all products. Tampering or opening the product casing or shell will void this warranty in its entirety.

In addition, this warranty does not apply if the product has been damaged by accident, abuse, misuse, or misapplication; has been altered or modified without the written permission of Impecca®; has been serviced by a non-authorized repair center of Impecca®; has not been properly maintained or operated according to the operation manual; has been used for commercial, non-household purposes; has been cosmetically damaged; was not imported by Impecca®; was not manufactured according to specification of the United States market; was damaged due to improper installation or neglect by the consumer; was damaged due to improper packaging in shipment to the Warranty Service Center; was damaged due to natural disasters; or if the serial number for the product has been removed or defaced.

ALL IMPLIED WARRANTIES, INCLUDING IMPLIED WARRANTIES OF MERCHANTABILITY AND FITNESS FOR A PARTICULAR PURPOSE ARE LIMITED IN DURATION TO ONE (1) YEAR PARTS AND THIRTY (30) DAYS LABOR FROM THE DATE OF THE ORIGINAL RETAIL PURCHASE OF THIS PRODUCT.

THESE WARRANTIES AND REMEDIES ARE THE SOLE AND EXCLUSIVE WARRANTIES AND REMEDIES IN CONNECTION WITH THE SALE AND USE OF THE PRODUCT. NO OTHER WARRANTIES, ORAL OR WRITTEN, EXPRESSED OR IMPLIED, ARE GIVEN.

IMPECCA® IS NOT RESPONSIBLE OR LIABLE FOR ANY DAMAGE, WHETHER SPECIAL, INCIDENTAL, CONSEQUENTIAL, DIRECT OR OTHERWISE, OR WHETHER KNOWN OR SHOULD HAVE BEEN KNOWN TO IMPECCA®, INCLUDING LOST PROFITS, GOODWILL, AND PROPERTY AND PERSONAL INJURY RESULTING FROM ANY BREACH OF WARRANTY, THE INABILITY TO USE THE PRODUCT OR UNDER ANY LEGAL THEORY IN CONTRACT OR TORT. IMPECCA LIABILITY IS LIMITED TO THE ACTUAL PURCHASE PRICE PAID TO THE RETAIL SELLER OF THE DEFECTIVE PRODUCT.

No Impecca® dealer, agent, or employee is authorized to make any modification, extension, change or amendment to this warranty without the written consent and authorization from Impecca®.

Some states do not allow the exclusion or limitation of implied warranties or liability for incidental or consequential damages, or do not allow a limitation on how long an implied warranty lasts, so the above limitations or exclusions may not apply to you. This warranty gives you specific legal rights, and you may have other rights, which vary from state to state.

Important: Be Sure to Register Your Product at WWW.IMPECCA.COM within 14 Days

Impecca® USA • PA 18711 • www.impecca.com • service@impecca.com

**Do not send any returns to this address, as they may be lost and this will delay your repair and service process.*



GARANTÍA LIMITADA POR UN AÑO {36530}

Impecca® garantiza este producto contra defectos en material y obra al comprador original como se especifica abajo siempre y cuando el producto este registrado en línea dentro de los catorce (14) días de compra.

PARTES - Si se determina que el producto tiene defecto de fábrica, dentro de un (1) año de la fecha de la compra original, Impecca® reparará o reemplazará las partes del producto sin costo alguno (de las partes) para consumidores en Estados Unidos y Canadá.

LABOR - Si se determina que el producto tiene un defecto de fabrica, dentro de un periodo de treinta (30) días de la fecha de la compra original, Impecca® reparará o reemplazará el producto sin costo alguno para consumidores en Estados Unidos y Canadá. Después de treinta (30) días será responsabilidad del consumidor.

Costos de embarque hacia y desde el Centro de Servicio de Garantía son la completa responsabilidad del consumidor.

Para obtener servicio de garantía por un centro de servicio autorizado de Impecca, por favor envíenos un correo electrónico a: service@impecca.com para obtener un numero de Autorización de Reparación y Mantenimiento y para localizar el Centro de Servicio de Garantía mas cerca de usted. Una vez autorizado, usted debe enviar el artículo por correo al centro de servicios autorizado Impecca® en sus materiales de empaque de producto originales o equivalente, para prevenir daño en tránsito.

Además, si Impecca® determina que el producto está fuera de los términos de Garantía, Impecca® retornará el producto al remitente a cargo del remitente sin ser reparado o reemplazado, salvo que haya sido autorizado por el consumidor a dar servicio al producto fuera de garantía al costo del consumidor. Todos los cargos de manejo o por reposición por devoluciones y/o reemplazos no serán reembolsables.

Impecca® específicamente excluye de esta garantía aditamentos no-eléctricos/mecánicos, accesorios, y partes desechables incluyendo, pero no limitados a, caja externa, cables de conexión, baterías, y adaptadores AC. Impecca® se reserva el derecho a reparar o reemplazar productos con el mismo, equivalente, o modelo más nuevo.

Nos reservamos el derecho a reparar o reemplazar el producto a nuestra discreción. El reemplazo puede ser nuevo o reparado y aunque se hará todo lo posible por que sea el mismo modelo, si el mismo modelo no está disponible, será reemplazado con un modelo de la misma o mayor especificación.

Desgaste normal no es cubierto por esta garantía. Además, Impecca® se reserva el derecho a determinar el "desgaste" en cualquier y todos los productos. Manipulación o apertura de la cubierta o tapadera del producto anulará esta garantía completamente.

La garantía no aplica si el producto ha sido dañado por accidente, abuso, mal uso, o mala aplicación; ha sido alterado o modificado sin el permiso expreso de Impecca® ; ha recibido servicio por un centro de reparación no autorizado por Impecca® ; no ha sido mantenido u operado de forma apropiada de acuerdo al manual de operación; ha sido usado para propósitos comerciales, no domésticos; ha sido dañado cosméticamente; no fue importado por Impecca® ; no fue fabricado de acuerdo a especificación del mercado de Estados Unidos; fue dañado debido a instalación no apropiada o negligencia del consumidor; fue dañado por empaque no apropiado en el embarque al Centro de Servicio de Garantía; fue dañado por desastre natural; o si el número de serie del producto ha sido removido o desfigurado.

TODAS LAS GARANTÍAS IMPLÍCITAS, INCLUYENDO GARANTÍAS DE COMERCIALIZACIÓN Y ADECUACIÓN IMPLÍCITAS PARA UN PROPÓSITO PARTICULAR SON LIMITADAS EN DURACIÓN A UN (1) AÑO EN PARTES Y TREINTA (30) DÍAS EN LABOR DE LA FECHA DE LA COMPRA ORIGINAL AL DETALLE DE ESTE PRODUCTO.

ESTAS GARANTÍAS Y REMEDIOS SON LAS ÚNICAS Y EXCLUSIVAS GARANTÍAS Y REMEDIOS EN CONEXIÓN CON LA VENTA Y USO DEL PRODUCTO. NINGUNA OTRA GARANTÍA, ORAL O ESCRITA, EXPRESA O IMPLÍCITA SON DADAS.

IMPECCA® NO ES RESPONSABLE POR NINGÚN DAÑO, YA SEA ESPECIAL, ACCIDENTAL, CONSECUENTE, DIRECTO O DE OTRA MANERA, O YA SEA CONOCIDO O TUVO QUE HABER SIDO CONOCIDO POR IMPECCA®, INCLUYENDO GANANCIAS PERDIDAS, BUENA VOLUNTAD, Y LESIÓN PERSONAL O DE PROPIEDAD RESULTANTE DE CUALQUIER ROMPIMIENTO DE GARANTÍA, LA INHABILIDAD DE USAR EL PRODUCTO, O BAJO CUALQUIER TEORÍA LEGAL EN CONTRATO O AGRAVIO. LA RESPONSABILIDAD DE IMPECCA® ES LIMITADA AL PRECIO DE COMPRA ACTUAL PAGADO AL VENDEDOR DETALLISTA DEL PRODUCTO DEFECTUOSO.

Ningún comerciante, agente, o empleado de Impecca® está autorizado para hacer ninguna modificación, extensión, cambio o enmienda a esta garantía sin el consentimiento escrito y autorización de Impecca®.

Algunos estados no permiten la exclusión o limitación de garantías implícitas o responsabilidad por daños accidentales o consecuentes, o no permiten una limitación en el tiempo de duración de una garantía implícita, así que es posible que las limitaciones o exclusiones anteriores no apliquen a usted. Esta garantía le da a usted derechos legales específicos, y es posible que usted tenga otros derechos que varían de estado a estado.

Nota: Nuestro Centro de Servicio de Garantía embarca solamente dentro de Estados Unidos Continental, excluyendo Alaska y Hawái.

Importante: Asegúrese de Registrar su producto en WWW.IMPECCA.COM dentro de 14 Días.

Impecca® USA • PA 18711 • www.impecca.com • service@impecca.com

No envíe devoluciones a esta dirección ya que se pueden perder y esto atrasara el proceso de reparación y servicio.

IMPECCA GARANTIE LIMITÉE D'UN AN {36530}

Impecca® garantit ce produit contre les défauts de matériaux et de fabrication à l'acheteur original tel que spécifié ci-dessous à condition que le produit soit enregistré en ligne dans les quatorze (14) jours suivants l'achat.

PIÈCES – Si le produit a un défaut de fabrication dans un délai d'un (1) an à compter de la date d'achat initiale, Impecca® réparera ou remplacera les pièces du produit sans frais (pour les pièces) pour les consommateurs aux États-Unis et au Canada.

MAIN-D'OEUVRE – Si le produit a un défaut de fabrication dans un délai de trente (30) jours à compter de la date d'achat initiale, Impecca® réparera ou remplacera les pièces du produit sans frais (pour les pièces) pour les consommateurs aux États-Unis et au Canada. Après trente (30) jours, il en sera de la responsabilité du consommateur.

Les frais d'expédition à destination et à partir de notre centre de service de garantie sont à la charge du consommateur.

Pour obtenir le service de garantie par un centre de service autorisé Impecca®, veuillez nous écrire à : service@impecca.com pour obtenir une autorisation de réparation et d'entretien (ARE) ainsi que pour localiser le centre de service de garantie le plus près de vous. Une fois autorisé, vous devez envoyer le produit au centre de service autorisé Impecca® dans ses matériaux d'emballage d'origine ou l'équivalent, pour éviter tout dommage pendant le transport.

De plus, si Impecca® devait déterminer que le produit est en dehors des conditions de la garantie, Impecca® retournera le produit à l'expéditeur aux frais de celui-ci sans être réparé ou remplacé, sauf s'il est autorisé par le consommateur à servir le produit à garantie expiré aux frais du consommateur. Tous les frais de manutention ou de réapprovisionnement pour les retours et/ou les remplacements seront non remboursables.

Impecca® exclut expressément de cette garantie toutes pièces jointes non électriques/mécaniques, accessoires et pièces jetables, y compris, mais non limité à, l'extérieur du boîtier, les câbles de connexion, batteries et adaptateurs secteur. Impecca® se réserve le droit de réparer ou de remplacer les produits défectueux avec des modèles identiques, équivalents ou plus récents.

Nous nous réservons le droit de réparer ou de remplacer le produit à notre discrétion. Le remplacement peut être soit neuf ou remis à neuf et alors que tous les efforts seront faits pour s'assurer qu'il s'agit du même modèle, si le même modèle n'est pas disponible il sera remplacé par un modèle équivalent ou supérieur.

L'usure « normale » n'est pas couverte par la présente, ou toute autre garantie. De plus, Impecca® se réserve le droit de déterminer l'usure « normale » sur

tous les produits. L'altération ou l'ouverture du boîtier ou de la coquille du produit annulera cette garantie dans son intégralité.

De plus, cette garantie ne s'applique pas si le produit a été endommagé par accident, abus, mauvaise utilisation ou mauvaise application, a été altéré ou modifié sans l'autorisation écrite de Impecca®, a été réparé par un centre de réparation Impecca® non agréé, n'a pas été correctement entretenu ou utilisé conformément au manuel d'utilisation, a été utilisé à des fins commerciales ou autres que personnelles, a été esthétiquement endommagé, n'a pas été importé par Impecca®, n'a pas été fabriqué selon les spécifications du marché des États-Unis, a été endommagé suite à une mauvaise installation ou à une négligence de la part des consommateurs, a été endommagé suite à un mauvais emballage lors de l'expédition au centre de service de garantie, a été endommagé en raison de catastrophes naturelles ou si le numéro de série du produit a été retiré ou rendu illisible.

TOUTE GARANTIE IMPLICITE, Y COMPRIS TOUTE GARANTIE IMPLICITE DE QUALITÉ MARCHANDE ET D'ADAPTATION À UN USAGE PARTICULIER, EST LIMITÉE À UN (1) AN POUR LES PIÈCES ET TRENTE (30) JOURS POUR LA MAIN-D'OEUVRE À PARTIR DE LA DATE D'ACHAT INITIALE DE CE PRODUIT.

CES GARANTIES ET RECOURS SONT LES SEULS ET UNIQUES GARANTIES ET RECOURS CONCERNANT LA VENTE ET L'UTILISATION DU PRODUIT. AUCUNE AUTRE GARANTIE, ORALE OU ÉCRITE, EXPLICITE OU IMPLICITE, N'EST DONNÉE.

IMPECCA® N'EST PAS RESPONSABLE DE TOUT DOMMAGE, QU'IL SOIT PARTICULIER, ACCIDENTEL, INDIRECT, DIRECT OU AUTRE ÉTANT CONNU OU QUI AURAIT DU ÊTRE CONNU D'IMPECCA®, Y COMPRIS LA PERTE DE PROFITS, LA BONNE VOLONTÉ ET LA PROPRIÉTÉ AINSI QUE LES BLESSURES PERSONNELLES RÉSULTANTES D'UNE RUPTURE DE GARANTIE, DE L'INCAPACITÉ D'UTILISER LE PRODUIT OU SOUS TOUTE AUTRE THÉORIE JURIDIQUE CONTRACTUELLE OU DÉLICTUELLE. LA RESPONSABILITÉ D'IMPECCA EST LIMITÉE AU PRIX D'ACHAT PAYÉ AU DÉTAILLANT DU PRODUIT DÉFECTUEUX.

Aucun revendeur, agent ou employé Impecca® n'est autorisé à faire quelques modifications, extension, changement ou amendement que ce soit de cette garantie sans le consentement écrit et l'autorisation d'Impecca®.

Certains États ne permettent pas l'exclusion ou la limitation des garanties implicites ou de la responsabilité pour les dommages directs ou indirects, ou ne permettent pas de limitation sur la durée d'une garantie implicite. Les limitations ou exclusions ci-dessus peuvent donc ne pas s'appliquer à vous. Cette garantie vous donne des droits légaux spécifiques et vous pouvez avoir d'autres droits, qui varient d'un État à l'autre.

Note : Notre centre de service de garantie expédie seulement à l'intérieur des États-Unis contigus, excluant l'Alaska et Hawaï.

Important : Assurez-vous d'enregistrer votre produit sur WWW.IMPECCA.COM dans les 14 jours

Impecca® USA • PA 18711 • www.impecca.com • service@impecca.com

**N'envoyez pas de retour à cette adresse, car ils risquent d'être perdus et cela va retarder votre processus de réparation et de service.*